

## NBE-7704-ALT Bullet 8MP HDR 12-38mm IP66/67 IK10 DINION 7100i IR



- ▶ Starlight technology for low-light performance with maximum detail
- ▶ High Dynamic Range (HDR) to see every detail in both bright and dark areas of the scene
- ▶ IVA Pro brings highly reliable deep-learning based detection of persons and vehicles to scenes ranging from sterile zones to crowded and congested
- ▶ Powerful long range (850nm) intelligent IR illumination up to 120 m (394 ft), optional invisible IR (940nm) or white light.
- ▶ Extremely robust and stable design with exceptional corrosion resistance for any outdoor application including traffic monitoring, critical infrastructure and perimeter security

The NBE-7704-ALT is an extremely robust bullet camera for mission-critical applications. The ruggedized and stable design has exceptional corrosion resistance for use in any outdoor application.

Using 1/1.8" sensors with 8MP resolution, the NBE-7704-ALT provides the perfect balance between high resolution and extreme low light sensitivity. Starlight and HDR technology combined with powerful smart IR illumination ensure highly detailed images even in the most challenging situations. The cameras have a powerful, embedded processor with dedicated hardware to support advanced machine learning and deep neural network-based Video Analytics.

Built-in Intelligent Video Analytics Pro (IVA Pro) enriches full situational awareness and triggers relevant alerts.

With the combination of the robust housing, exceptional image quality and the powerful video analytics, the NBE-7704-ALT is the ideal choice for

the most demanding outdoor applications, including traffic monitoring, critical infrastructure, and perimeter security.

### Functions

#### Starlight performance

The latest sensor technology combined with the sophisticated image processing and noise suppression results in an exceptional sensitivity in color. The low-light performance is so good that the camera continues to provide excellent color performance even with a minimum of ambient light.

#### High Dynamic Range

The camera has High Dynamic Range. This is based on a multiple-exposure process that captures more details in the highlights and in the shadows even in the same scene. The result is that you can easily distinguish objects and features, for example, faces with bright backlight.

The actual dynamic range of the camera is measured using Opto-Electronic Conversion Function (OECF) analysis according to IEC 62676 Part 5. This method is used to provide standardized measurements, which can be used to compare different cameras.

### Intelligent Video Analytics Pro (IVA Pro)

The camera comes with the IVA Pro Building and the IVA Pro Perimeter pre-installed and brings highly reliable deep-learning based detection and tracking of persons and vehicles to scenes ranging from sterile zones to crowded and congested. Being extremely resistant to false triggers caused by challenging environments with rain, wind (moving trees), snow, hail, and water reflections as well as shadows and bugs, it reliably detects, tracks, and classifies objects. A smart set of alarm and counter rules allows to alert you when predefined alarms are triggered, and to forensically search with high efficiency through recordings. Configuration effort is minimized and made easy by removing the need for calibration.

Additionally, other options can be licensed to optimize the camera analytics for specific enterprise use-cases with the IVA Pro Traffic.

### Intelligent Video Analytics Pro (IVA Pro) - optional licenses

With the introduction of IVA Pro Appearance, users can conduct forensic searches based on distinct characteristics, such as color of clothing, bags, hats, or other features, enabling a more precise search of individuals. Furthermore, the integration of IVA Pro Gun Detection enhances security measures by automatically detecting and classifying people brandishing firearms, ensuring comprehensive threat detection.

Additionally, the camera now features IVA Pro Personal Protective Equipment (PPE), designed to detect the proper use of personal protective equipment, which can reduce accident risk and promote health and safety in various environments. IVA Pro Traffic can be licensed to optimize the camera analytics for ITS applications such as counting and classification, as well as Automatic Incident Detection, which are necessary for highway and urban infrastructure planning. IVA Pro License Plate excels in real-time identification of license plates in parking applications or city environments for automated ticketing systems, traffic enforcement, and smart parking solutions.

### IR illumination

The NBE-7704-ALT offers integrated advanced smart infrared (IR) illumination. The IR range covers a distance of up to 120 m (394 ft).

The combination of multiple IR beam angles, linked to the zoom position of the lens, ensure uniform illumination of the full scene, without hot spots or dark corners in any field of view. Smart IR ensures a balanced image without over exposure on objects closer to the camera.

Optional invisible IR (940nm) or white light modules are available.

### Polarizing filter

A polarizing filter kit is available for the DINION 7100i IR tele lens variants. By adding a polarizing filter, the reflections of glass, water, leaves, or wet roads can be reduced, ensuring the relevant details can be captured.

### H.265 high-efficiency video encoding

The camera is designed on the most efficient and powerful H.264 and H.265/HEVC encoding platform. The camera is capable of delivering high-quality and high-resolution video with very low network load. With a doubling of encoding efficiency, H.265 has become the new compression standard of choice for IP video surveillance systems.

### DORI coverage

DORI (Detect, Observe, Recognize, Identify) is a standard system (EN-62676-4) for defining the ability of a person viewing the video to distinguish persons or objects within a covered area. The maximum distance at which a camera/lens combination can meet these criteria is shown below:

#### 8MP camera with 12 - 38 mm lens\*

| DORI      | DORI definition        | Distance<br>12 mm/38 mm         | Horizontal<br>width |
|-----------|------------------------|---------------------------------|---------------------|
| Detect    | 25 px/m<br>(8 px/ft)   | 237 m/724 m<br>(731 ft/2664 ft) | 153 m<br>(480 ft)   |
| Observe   | 63 px/m<br>(19 px/ft)  | 94 m/287 m<br>(312 ft/953 ft)   | 61 m<br>(202 ft)    |
| Recognize | 125 px/m<br>(38 px/ft) | 47 m/144 m<br>(156 ft/476 ft)   | 30 m<br>(101 ft)    |
| Identify  | 250 px/m<br>(76 px/ft) | 23 m/72 m<br>(78 ft/238 ft)     | 15 m<br>(50 ft)     |

\*The numbers in this table do not reflect IVA distances. For IVA distances, refer to the lens calculator / Bosch IP video design tool.

### Scene modes

Multiple configurable modes are provided with the best settings for a variety of applications. In one click fully optimized image settings can be selected to suit the conditions. Different scene modes can be selected for different situations such as sodium lighting, fast moving objects, or dark environments.

### Resists rain, dust, and tampering with reliable operation across a wide temperature range

Suitable for indoor and outdoor usage.

The robust design of the camera is rated to IP66 / IP67 and IK10 standards, safeguarding the camera against rain and dust while also offering protection against vandalism and tampering.

The camera can operate in a wide ambient temperature range between -50 °C up to +60 °C (-58 °F to +140 °F).

#### **Auto-calibration**

The camera offers auto-calibration by transforming 2D pixels into 3D real world measures, such as size, speed and geolocation of objects for tracking use cases. AI technology allows the camera to detect and analyze persons and vehicles in the scene to determine calibration parameters. Calibration efforts are now reduced to a single click, followed by the usual human verification. This reduces the calibration effort or time investment, ensuring optimal accuracy while keeping costs to a minimum.

#### **Electronic image stabilization**

The camera incorporates a built-in, electronic Image stabilization and algorithm that allows to sense continuous vibration. If it detects vibration, the device dynamically corrects the shaky video in both vertical and horizontal axis. The Image stabilization function delivers exceptional image clarity and a stable field of view on the monitor.

The EIS crop factor is adjustable. This helps the camera deliver exceptional image clarity, by allowing you to optimize the balance between field of view and the maximum vibration amplitude.

#### **Easy installation**

The NBE-7704-ALT uses the proven 3-step installation concept. The mounting plate has multiple hole patterns for installation on electrical boxes (4 inch square and double gang) and on the Bosch Universal Accessories. The back box can be attached with a simple rotate and click. All wires can be connected in the back box.

Power can be supplied through Power-over-Ethernet. With this configuration, only a single cable connection is required to view, power, and control the camera. Using PoE makes installation easier and more cost effective, as cameras do not require a local power source.

The design of the camera focuses on robustness and stability. A patented optimized swivel design further helps with the ease of installation.

The swivel has a big-ball joint for optimal stability. When combined with electronic image stabilization, this helps to ensure stable images in challenging environments, such as traffic monitoring.

The camera features a short housing and a big swivel, to ensure maximum stability.

While positioning the camera with the one hand, a locking ring can be tightened with the other hand without using a tool. The camera will stay in position while the swivel can be locked with a locking screw. Once the locking screw is tightened, the locking ring can no longer be untightened by hand.

The camera features a punch down connector for network connection. This helps directly connect bigger cables directly to the camera.

For standard cables, an RJ45 connection is available. For CAT-7 or bigger cables, it is possible to directly punch down the cable on a special connector.

The punch down connector eliminates the need for an external cabinet, where the large diameter cable can be connected to a small patch cable that, in turn, connects to the camera. The large diameter cables can now be directly connected to the camera. The camera is compatible with the Bosch electrical boxes accessories, including a double gang box and a 4 inch square junction box.

#### **Data security**

Special measures ensure the highest level of security for device access and data transport. On initial setup, the camera is only accessible over secure channels and enforces a password. Web browser and viewing client access can be protected using HTTPS or other secure protocols that support state-of-the-art TLS 1.2 with updated cipher suites including AES encryption with 256 bit keys. No software can be installed in the camera, and only authenticated firmware can be uploaded. A three-level password protection with security recommendations allows users to customize device access.

Network and device access can be protected using 802.1x network authentication with EAP/TLS. Superior protection from malicious attacks is guaranteed by the Embedded Login Firewall, on-board Trusted Platform Module (TPM) and Public Key Infrastructure (PKI) support.

The advanced certificate handling offers:

- Self-signed unique certificates automatically created when required
- Client and server certificates for authentication
- Client certificates for proof of authenticity
- Certificates with encrypted private keys
- 4096 key length

#### **Advanced edge recording**

Advanced edge recording provides the reliable storage solution possible due to the combination of the following functionalities:

- Dual microSD cards that can be set up as either:
  - Mirrored, for redundant storage
  - Failover, for extended service intervals
  - Extended, for maximum retention time
- Industrial microSD card support allows for extreme lifetime
- Health monitoring of industrial microSD cards provide early service indications

#### **Cloud-based services**

Using the Bosch Security Cloud, you can configure, troubleshoot, and update supported devices using the browser-based interface or standard tools. With one click on Remote Portal, you can activate additional value-added services, such as Alarm Management in Cloud VMS, or VideoView+.

VideoView+ provides an easy-to-use and cost-effective solution to remotely connect to your device from anywhere, at any time. Leverage the power of the Bosch cloud to monitor your premises and get notified about any incident. VideoView+ also enables live streaming, locally and from remote, of up to 8 concurrent devices via Video Security Client, or of up to 4 concurrent devices on the Android and iOS app clients. This includes replay and export functionality, as well as forensic search to define and perform search criteria for recorded events.

### Bosch Remote Portal

With the secure cloud infrastructure, Remote Portal, you can manage your connected Bosch devices. From the Remote Portal you can:

- Complete initial configuration of your connected Bosch devices (online or offline).
- Update firmware for single or multiple devices.
- Manage certificates.
- Monitor the health of your connected Bosch devices.

### Project Assistant app

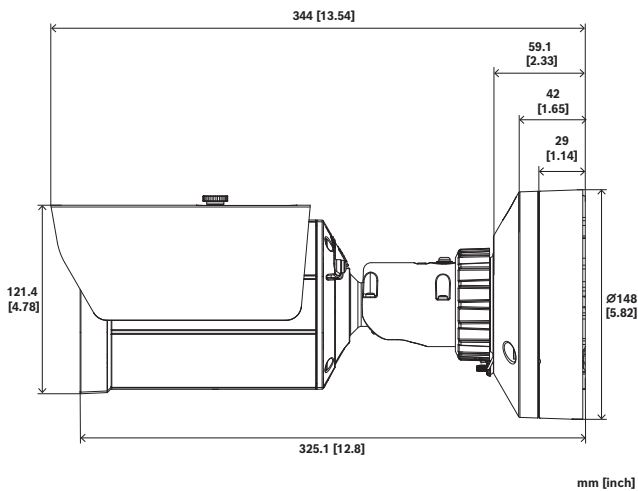
As the camera is equipped with a USB-C port for a Wireless installation dongle (sold separately: NCA-WLAN-EU, NCA-WLAN-NA), the installer can easily perform the initial configuration wirelessly. Using a mobile device with the Bosch Project Assistant app, you can do initial set-up and lens zoom-focus to find the right scene. Simply connect the wireless installation dongle and go to the Bosch Project Assistant app, available for iOS, Windows, or Android.

## Regulatory information

| Type     | Standard   |
|----------|--|
| Emission | EN 55032 (Class B)<br>EN 50121-4<br>EN IEC 61000-6-3<br>EN IEC 61000-6-4<br>CFR 47 FCC part 15 (Class B)<br>ICES-003 Issue 7                                 |
| Immunity | EN 55035<br>EN 50130-4<br>EN 50121-4<br>EN IEC 61000-6-1<br>EN IEC 61000-6-2<br>EN 61000-4-2<br>EN 61000-4-3<br>EN 61000-4-4<br>EN 61000-4-5<br>EN 61000-4-6 |

| Type                 | Standard  |
|----------------------|---|
|                      | EN 61000-4-8  |
| Environmental        | EN 50130-5 (Class IV)<br>EN 60068-2-2<br>EN 60068-2-5<br>EN 60068-2-6<br>EN 60068-2-18<br>EN 60068-2-27<br>EN 60068-2-30<br>EN 60068-2-42<br>EN 60068-2-52<br>EN 60068-2-75<br>EN 60068-2-78<br>TS 2-2003, Section 2 (Environmental requirements)<br>EN IEC 63000 (RoHS)<br>California Proposition 65 |
| Corrosion resistance | ISO 14993   |
| Safety               | IEC 62368-1<br>EN 62368-1<br>UL 62368-1<br>CSA C22.2 No. 62368-1<br>IEC 60950-22<br>EN 60950-22<br>UL 60950-22<br>CSA C22.2 No. 60950-22<br>IEC 62368-3<br>EN IEC 62368-3<br>IEC 62471<br>EN 62471  |
| Impact protection    | EN 62262 (IK10)   |
| Ingress protection   | EN 60529 (IP66/IP67)<br>NEMA 250 (4X)   |
| ISO 20653            | IP6K9K  |
| Marks                | CE, cULus, RCM, WEEE, VCCI, CMIM, UKCA  |
| Compliance           | NDAA compliant  |
| Region               | Regulatory compliance/quality marks   |
| Global               | IEC 62443 Industrial Cyber Security Capability  |
| USA                  | UL CAP Cybersecurity Assurance Program  |

## Installation/configuration notes



Dimensions in mm (inch)

## Parts included

| Quantity | Component                |
|----------|--------------------------|
| 1        | NBE-7704-ALT camera      |
| 1        | TR20 key                 |
| 1        | Mini screwdriver         |
| 1        | Grommet (IP66)           |
| 1        | Grommet (IP67)           |
| 1        | Quick installation guide |
| 1        | Safety information       |
| 3        | Installer UX labels      |

## Technical specifications

### Electrical

|  |  |
|--|--|
| PoE input                                      | PoE IEEE 802.3af / 802.3at Type 1, Class 3;<br>PoE and auxiliary power can be connected simultaneously for redundant operation |
| Input voltage (VAC)                            | 24 VAC $\pm$ 10%   |
| Input voltage (VDC)                            | 12 VDC – 26 VDC $\pm$ 10%  |
| Power consumption PoE (W) (typical – maximum)  | 7 W – 12.95 W  |
| Power consumption VAC (VA) (typical – maximum) | 12 VA – 25 VA  |

|   |               |
|---|---------------|
| Power consumption VAC (W) (typical – maximum) | 7.10 W – 13 W |
| Power consumption VDC (W) (typical – maximum) | 7.50 W – 16 W |

### Sensor

|                          |                              |
|--------------------------|------------------------------|
| Sensor type              | 1/1.8 inch CMOS              |
| Effective pixels (H x V) | 3,840 x 2,160<br>2.0 $\mu$ m |
| Total sensor pixels      | 8.30 MP approx.              |

### Sensitivity

|  |                       |
|--|-----------------------|
| Low light technology   | starlight             |
| Sensitivity  | 30 IRE                |
| Color (lx) (sensitivity measured according to IEC 62676 Part 5)      | 0.0899 lx             |
| Monochrome (lx) (sensitivity measured according to IEC 62676 Part 5) | 0.0095 lx (0 with IR) |
| High Dynamic Range (HDR) (dB)  | 120 dB                |

### Optical

|                            |                   |
|----------------------------|-------------------|
| Lens focal length (mm)     | 12 mm – 38 mm     |
| Iris control               | P-iris            |
| IR corrected               | Yes               |
| Lens aperture (/F)         | 2.05 /F – 2.25 /F |
| Zoom/focus control         | Motorized         |
| Field of View wide (H x V) | 42° x 24°         |
| Field of View tele (H x V) | 9° x 5°           |

### Night vision

|   |   |
|---|---|
| IR function                             | On; Off; Auto; Intelligent IR   |
| LED                                     | Exchangeable illumination modules:<br>850 nm (default);<br>940 nm (optional);<br>white light (optional - available at a later date) |
| Distance 850 nm IR (default)            | 120 m   394 ft  |
| Distance 940 nm invisible IR (optional) | 80 m   262 ft   |

|                                  |  |
|----------------------------------|--|
| IR intensity                     | Manually adjustable; Automatic; Exchangeable illumination modules  |
| <b>Firmware</b>                  |  |
| Common Product Platform          | CPP14  |
| <b>Video streaming</b>           |  |
| Video compression                | H.264 (ISO/IEC 14496-10); M-JPEG; H.265/HEVC   |
| Sensor modes                     | 25 fps, HDR, 3840 x 2160 (8.3 MP);<br>30 fps, HDR, 3840 x 2160 (8.3 MP)  |
| Streaming                        | 4 configurable streams in H.265; H.264 and M-JPEG; Configurable framerate and bandwidth; Bosch Intelligent Streaming (available with future firmware update)                                 |
| Camera processing latency        | <120ms (8MP, 30 fps)   |
| GOP structure                    | IBBP   |
| Frame rate (fps)                 | 1 fps – 30 fps   |
| Video signal-to-noise ratio (dB) | >55 dB   |
| Video resolution (H x V)         | 4K UHD, 3840 x 2160<br>6MP 3264 x 1840<br>4.1MP (16:9) 2688 x 1512<br>HD 1080p, 1920 x 1080;<br>1.3MP, 1536 x 864;<br>HD 720p, 1280 x 720;<br>SD 432p, 768 x 432;<br>0.1MP (16:9), 512 x 288 |
| <b>Camera installation</b>       |  |
| Mirror image                     | On; Off  |
| Image rotation                   | 0°; 90° upright; 180°; 270° upright  |
| Camera LED                       | Auto disable; Enable; Disable  |
| <b>Video functions</b>           |  |
| ALC mode                         | Standard; Fluorescent; Level; Average vs. Peak; Speed; Priority dark vs. bright  |
| Shutter modes                    | Automatic Electronic Shutter (AES); 1/25 min; 1/15,000 max; Default shutter  |

|                         |   |
|-------------------------|---|
| Image stabilization     | Electronic  |
| Day/night modes         | Auto (adjustable switch points); Color; Monochrome  |
| WDR technology          | HDR; HDR - Optimized DR; HDR - Extreme DR   |
| Camera functionality    | Geolocation; Backlight compensation (BLC); Contrast enhancement; Sharpness enhancement; Brightness                        |
| White balance (K)       | 2,000 K – 10,000 K  |
| White balance modes     | Basic; Standard; Sodium lamp; Manual mode; Hold mode; 3 automatic modes   |
| Number of privacy masks | 8   |
| Display stamping        | Name; Logo; Alarm message; Time   |
| Scene modes             | Standard; Sodium lighting; Vibrant; Sports & gaming; Retail; Fast movement; Sensitivity boost; Color only; LPR; Backlight |

### Video content analysis

|   |   |
|---|---|
| Analysis type                                   | Intelligent Video Analytics Pro: IVA Pro Buildings; Intelligent Video Analytics Pro: IVA Pro Perimeter  |
| Alarm triggers                                  | Any object; Object in field; Line crossing; Enter / leave field; Loitering; Follow route; Idle / removed object; Counting; Occupancy; Crowd density estimation; Condition change; Similarity search; Objects stopping or starting to move |
| Object filters                                  | Duration; Size; Aspect ratio; Speed; Direction; Color; Object classes (6)   |
| Perimeter tracking 3D                           | Ship tracking; Museum mode; Perimeter tracking (2D); People tracking (3D); Base tracking (2D); Traffic tracking (3D)  |
| Calibration                                     | Automatic based on gyro sensor, focal length, and camera height   |
| Number of possible alarm rules (simultaneously) | 16  |
| Additional functionalities                      | Tamper detection  |



|                                  |  |
|----------------------------------|--|
| Supported analytics (license)    | IVA Pro Appearance; IVA Pro Visual Gun Detection; IVA Pro Personal Protective Equipment; IVA Pro Traffic   |
| <b>Storage</b>                   |  |
| Internal storage                 | 5-s-pre-alarm-recording  |
| Memory card slot                 | Dual micro SDHC; Dual micro SDXC; Dual micro SD card up to 2 TB  |
| Industrial SD cards              | Extreme lifetime and health monitoring support that provides early service indication  |
| Dual SD-card slot configurations | Mirror (redundant storage); Failover (extended service interval); Extend (maximum retention time); Automatic Network Replenishment   |
| <b>Inputs and outputs</b>        |  |
| Ethernet                         | Shielded RJ45; Punch down connector  |
| Audio line in                    | 10 kOhm typical; max. 1 Vrms   |
| Audio line out                   | 1.5 kOhm typical; 1 Vrms   |
| Audio input                      | Line-in  |
| Audio output                     | Line-out   |
| Alarm inputs                     | 2;<br>Dry contact;<br>5 - 40 VDC;<br>2.2 K end-of-line resistor  |
| Alarm outputs                    | 1;<br>max 30 VAC;<br>+40 VDC;<br>0.5 A;<br>continuous 10 VA  |
| Surge protection                 | 1 kV; 1 kA to ground (8/20 $\mu$ s)  |
| USB                              | USB 2.0 Type C, for use with Wireless installation dongle for setup and commissioning (sold separately)  |
| Fiber optics (sold separately)   | The Fiber Optic Ethernet Media Converter kit (VG4-SFPSCKT) installed inside a Surveillance Cabinet (NBA-7070-PA0, NBA-7070-PA1 or NBA-7070-PA2) provides the fiber optic interface to the mounted camera |

**Audio**

|                                    |   |
|------------------------------------|---|
| Compression and sampling rate      | G.711 8 kHz; L16 16 kHz; AAC-LC 80kbps 16 kHz; AAC-LC 48kbps 16 kHz |
| Minimum signal-to-noise ratio (dB) | >50 dB  |
| Audio streaming                    | Full duplex; Half duplex  |

**Network**

|                       |  |
|-----------------------|--|
| Protocols / standards | IPv4; IPv6; UDP; TCP; HTTP; HTTPS; RTP/SRTP/RTCP; RTSP/RTSPS; IGMP V2/V3; ICMPv6; FTP/Secure FTP; ARP; DHCP; APIPA (Auto-IP, link local address); NTP (SNTP); SNMP (V1, MIBII); SNMP (V3, MIBII); 802.1x; EAP/TLS; DNS; DNSv6; SMTP; iSCSI; UPnP (SSDP); DiffServ (QoS); LLDP; SOAP; CHAP; Digest authentication, SCEP |
| Ethernet type         | 10/100/1000BASE-T  |
| Conformity            | ONVIF Profile S; ONVIF Profile G; ONVIF Profile T; ONVIF Profile M   |

**Data security**

|                          |  |
|--------------------------|--|
| Crypto coprocessor (TPM) | RSA 4096 bit; AES/CBC 256 bit                  |
| PKI                      | X.509 certificates                             |
| End-to-end encryption    | Full end-to-end with supported VMS             |
| Encryption               | TLS 1.2; AES 256; AES 128; TLS 1.3             |
| Local storage encryption | XTS-AES  |
| Video authentication     | MD5; SHA-1; SHA-256; Checksum                  |
| Firmware protection      | Signed firmware; Secure boot; Software sealing |

**Mechanical**

|                         |  |
|-------------------------|--|
| Material                | Housing: Aluminum with dehumidifying membrane and waterproof connection area |
| Dimensions (Ø x H) (mm) | 148 mm x 115 mm  |
| Dimensions (Ø x H) (in) | 5.82 in x 4.52 in  |
| Weight (kg)             | 2.95 kg  |
| Weight (lb)             | 6.50 lb  |

|   |  |
|---|--|
| Color (RAL)                                     | RAL 9003 Signal white  |
| Mounting type                                   | Surface-mounted  |
| <b>Environmental</b>                            |  |
| Operating temperature (°C)                      | -40 °C – 60 °C PoE;<br>-50 °C – 60 °C 12VDC/24VAC;<br>Up to 74 °C according to NEMA TS 2-2021, para 2.1.5.1 using fig. 2.1 test profile    |
| Operating temperature (°F)                      | -40 °F – 140 °F PoE;<br>-58 °F – 140 °F 12VDC/24VAC;<br>Up to 165 °F according to NEMA TS 2-2021, para 2.1.5.1 using fig. 2.1 test profile |
| Storage temperature (°C)                        | -40 °C – 70 °C   |
| Storage temperature (°F)                        | -40 °F – 158 °F  |
| Cold start temperature (°C)                     | -40 °C   |
| Cold start temperature (°F)                     | -40 °F   |
| Operating relative humidity, non-condensing (%) | 5% – 93%   |
| Operating relative humidity, condensing (%)     | 5% – 100%  |
| Storage relative humidity (%)                   | 0% – 98%   |
| Impact protection                               | IK10   |
| IP rating                                       | IP66; IP67; IP6K9K   |
| Degree of protection                            | NEMA type 4X   |

### Ordering information

#### **NBE-7704-ALT Bullet 8MP HDR 12-38mm IP66/67 IK10**

Fixed bullet camera 8MP with HDR, IVA Pro Buildings Pack, IVA Pro Perimeter Pack, IP67, IK10, H.265, IR, 12-38 mm lens  
NDAA compliant  
Order number **NBE-7704-ALT**

### Accessories

#### **NDA-U-PMAL Pole mount adapter large**

Universal pole mount adapter, white; large  
Order number **NDA-U-PMAL**

#### **NBA-7000-LI Illuminator module invisible 940nm wide**

Invisible light illuminator module, 940 nm, wide  
Order number **NBA-7000-LI**

#### **NDA-U-CBB Conduit back box, 148mm**

Outdoor conduit back box, 148mm, IP66 rated  
Order number **NDA-U-CBB**

#### **NCA-WLAN-EU Wireless installation dongle EU**

Wireless installation dongle for wireless commissioning  
Order number **NCA-WLAN-EU**

#### **NCA-WLAN-NA Wireless installation dongle NA**

Wireless installation dongle for wireless commissioning for North America  
Order number **NCA-WLAN-NA**

#### **MSD-064G IP SECURITY MICROSD CARD 64GB**

64 GB industrial microSD card with health status monitoring  
Order number **MSD-064G**

#### **MSD-128G IP SECURITY MICROSD CARD 128GB**

128 GB industrial microSD card with health status monitoring  
Order number **MSD-128G**

#### **MSD-256G IP SECURITY MICROSD CARD 256GB**

256 GB industrial microSD card with health status monitoring  
Order number **MSD-256G**

#### **NPD-3001-WAP Portable installation tool**

Bosch camera portable and wireless installation tool  
Order number **NPD-3001-WAP**

#### **NBA-7070-PA0 Surveillance cabinet 24VAC**

Surveillance cabinet, 24 VAC, IK10  
Order number **NBA-7070-PA0**

#### **NBA-7070-PA1 Surveillance cabinet 120VAC**

Surveillance cabinet, 120 VAC, IK10  
Order number **NBA-7070-PA1**

#### **NBA-7070-PA2 Surveillance cabinet 230VAC**

Surveillance cabinet, 230 VAC, IK10  
Order number **NBA-7070-PA2**

#### **NCA-U-PIG Push-in grommet IP66 patch comp. 25pcs**

Push-in grommet IP66 patch comp. 25pcs  
Order number **NCA-U-PIG**

#### **NCA-U-PIGS Push-in grommet IP67 4.5-7.5mm 25pcs**

Push-in grommet IP67, 4.5-7.5mm, 25pcs  
Order number **NCA-U-PIGS**

#### **NCA-U-PIGL Push-in grommet IP67 7.5-10mm 25pcs**

Push-in grommet IP67, 7.5-10mm, 25pcs  
Order number **NCA-U-PIGL**

### Software Options

#### **MVC-IVA-TRA IVA Pro Traffic**

Video analytics software based on deep neural network technology for traffic monitoring and Automatic Incident Detection.  
Order number **MVC-IVA-TRA**





<https://www.boschsecurity.com>